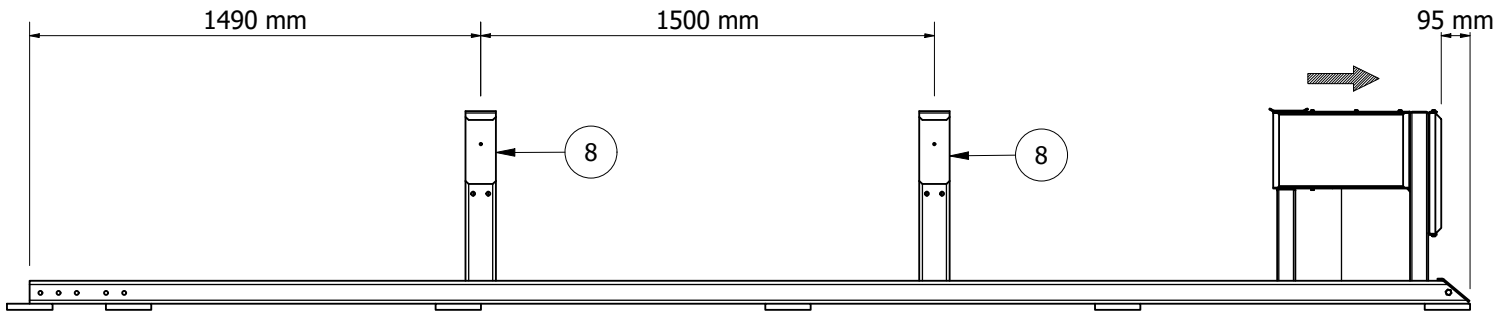
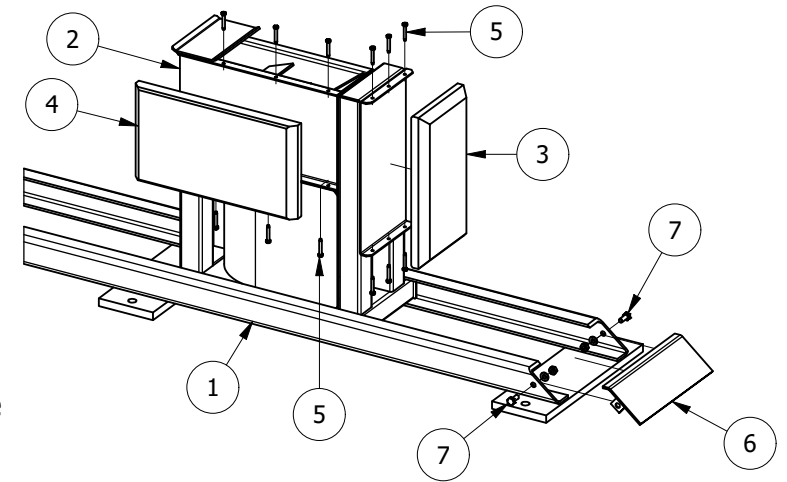
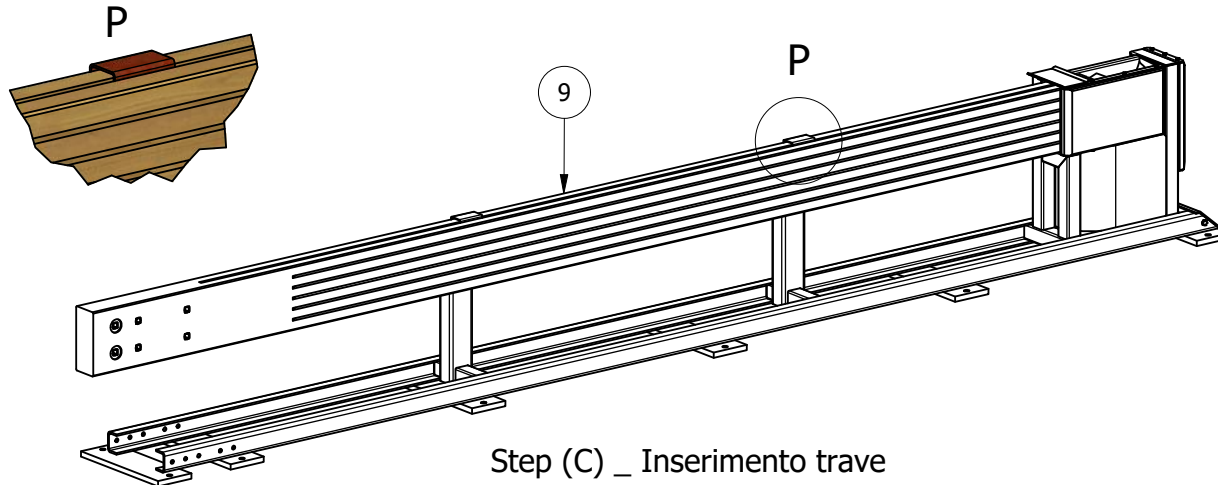


Step (A) _ Montaggio cursore



Step (B) _ Alloggiamento carrelli



Step (C) _ Inserimento trave

Component list	
Ref.	Item
1	e
2	S e
3	t p t e t
4	te p t e t
5	e 5x40
6	5 □ □ □ □ V □ R 6 □ □ □ □
7	□ R O I L E M 10 x 2 5
8	□ R O G I □ □ R V □ □
9	□ R R G E □ □ P □



MARGARITELLI
ROAD SAFETY

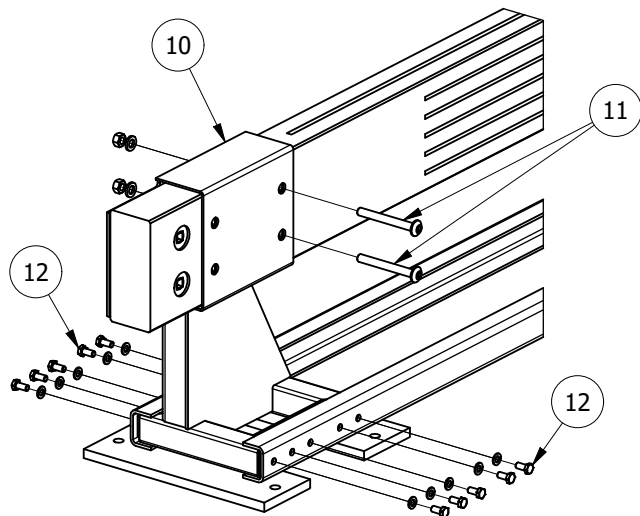
Drawing
IM031-01

Issued
08/01/2020

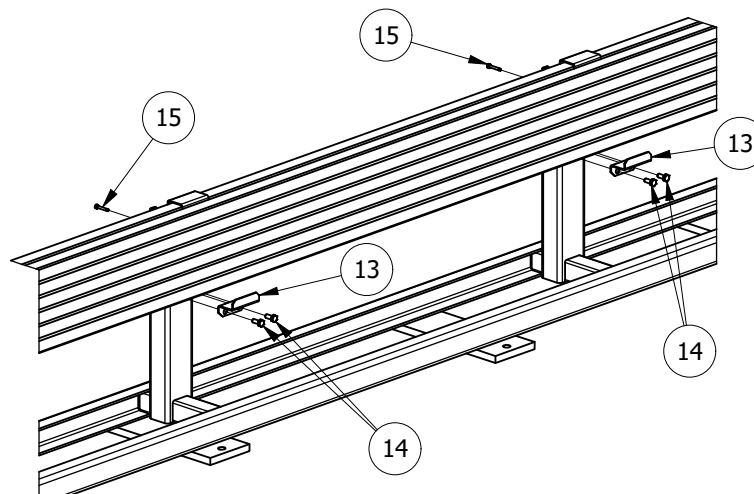
Review
04

Date
21/07/2022

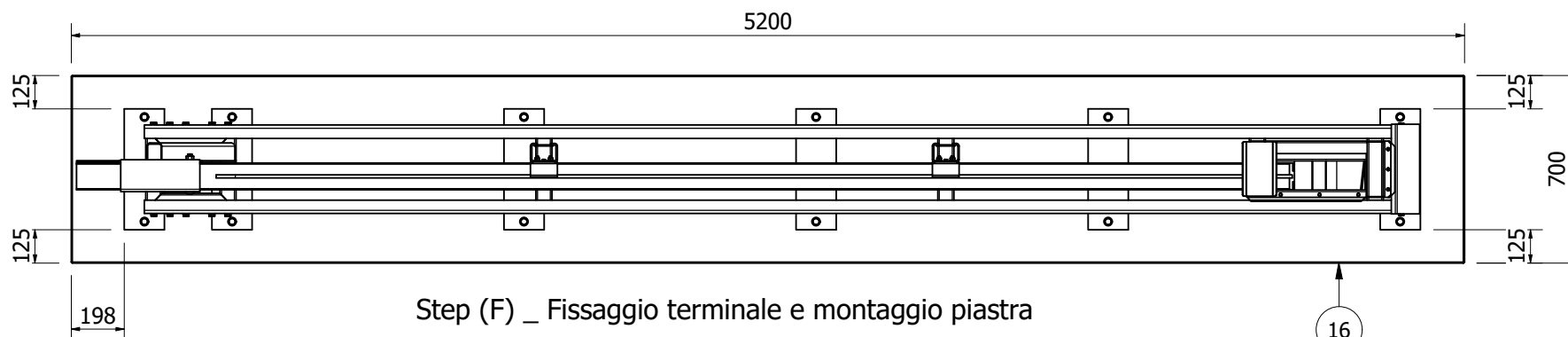
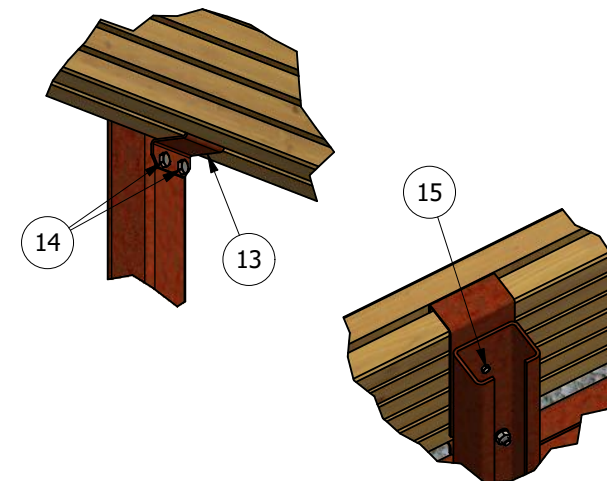
Object: Energy absorbing terminal P1 class - P1-01 "Beaver"
Tested for P1 Class in compliance with UNI ENV 1317-4: 2003
Assembly instructions



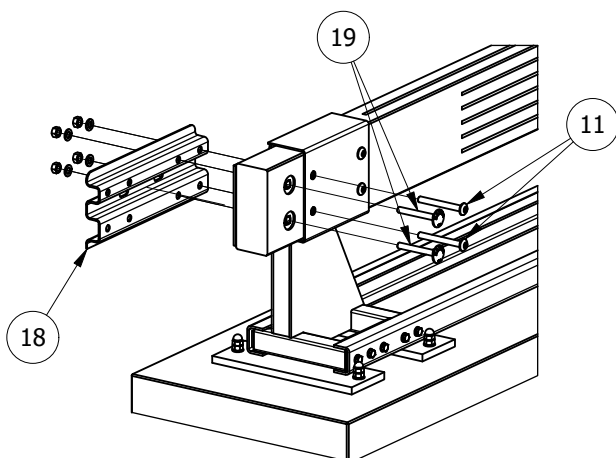
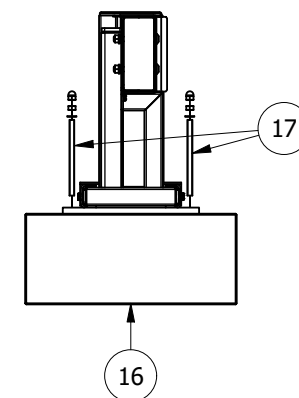
Step (D) _ Montaggio backstop



Step (E) _ Alloggiamento staffe inferiori



Step (F) _ Fissaggio terminale e montaggio piastra



Component list	
Ref.	Item
10	Backstop
11	Bolts TBE In M16x140 torque 120 Nm
12	Bolts TE M12x30 torque 40 Nm
13	Post bracket
14	Bolts TE M10x25
15	Wood screw 6x40
16	Basement
17	Threaded rods M16x250 torque 120 Nm
18	Corrugated splice plate
19	Bolts TTQST M16x125 torque 120 Nm

