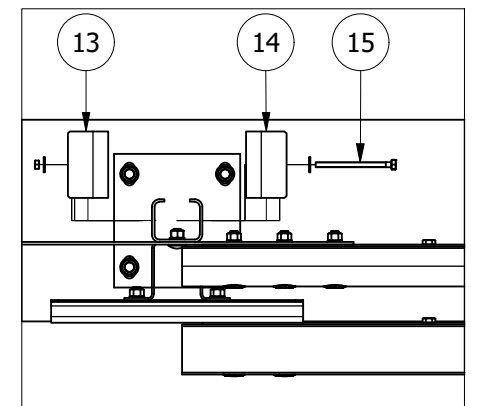


Double cover version	
Ref.	Item
13	Left post cover
14	Right post cover
15	Bolts TE M10x150



Measurements expressed in mm

Tightening torque:

- Ref. 4 torque between 120 & 130 Nm
- Ref. 8 e 10 torque between 150 & 200 Nm

Torque values must be checked with a calibrated torque wrench
 The bolts Ref. 10 are preassembled, remove the nuts to proceed with the installation

Component list	
Ref.	Item
1	1 "C" Post
2	Threaded rods M20x250
3	Blockout
4	Bolts TT M16x30
5	Top Rail Splice plate
6	Corrugated Splice Plate
7	Top Rail
8	Bolts TTQST M16x105
9	Protection Rail
10	Bolts TTQST M16x125
11	Single Post Cover
12	Bolts TTQST M10x100



MARGARITELLI
ROAD SAFETY

Drawing IM 025-01	Issued 03/08/2009
Review 05	Date 20/06/2022

Object: Bridge Safety Barrier H2BP-02
 Certificate of Costancy of Performance CE n° 0497/CPR/3247
 Assembly instructions